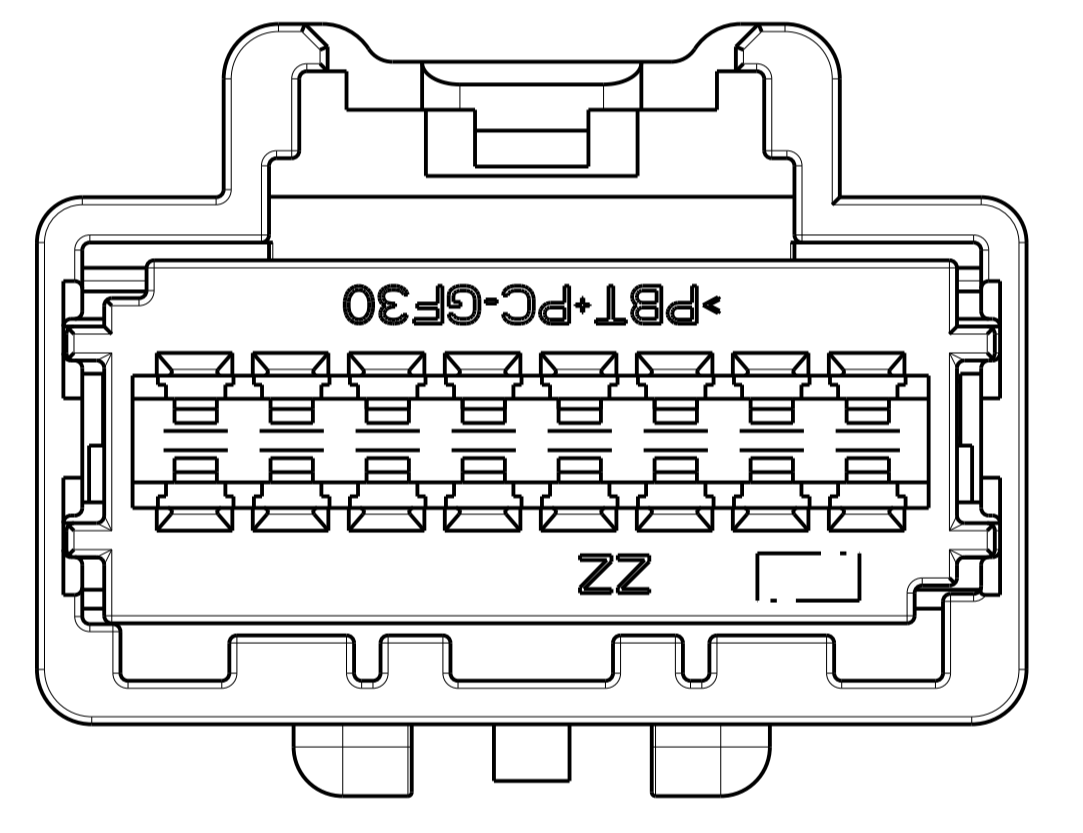
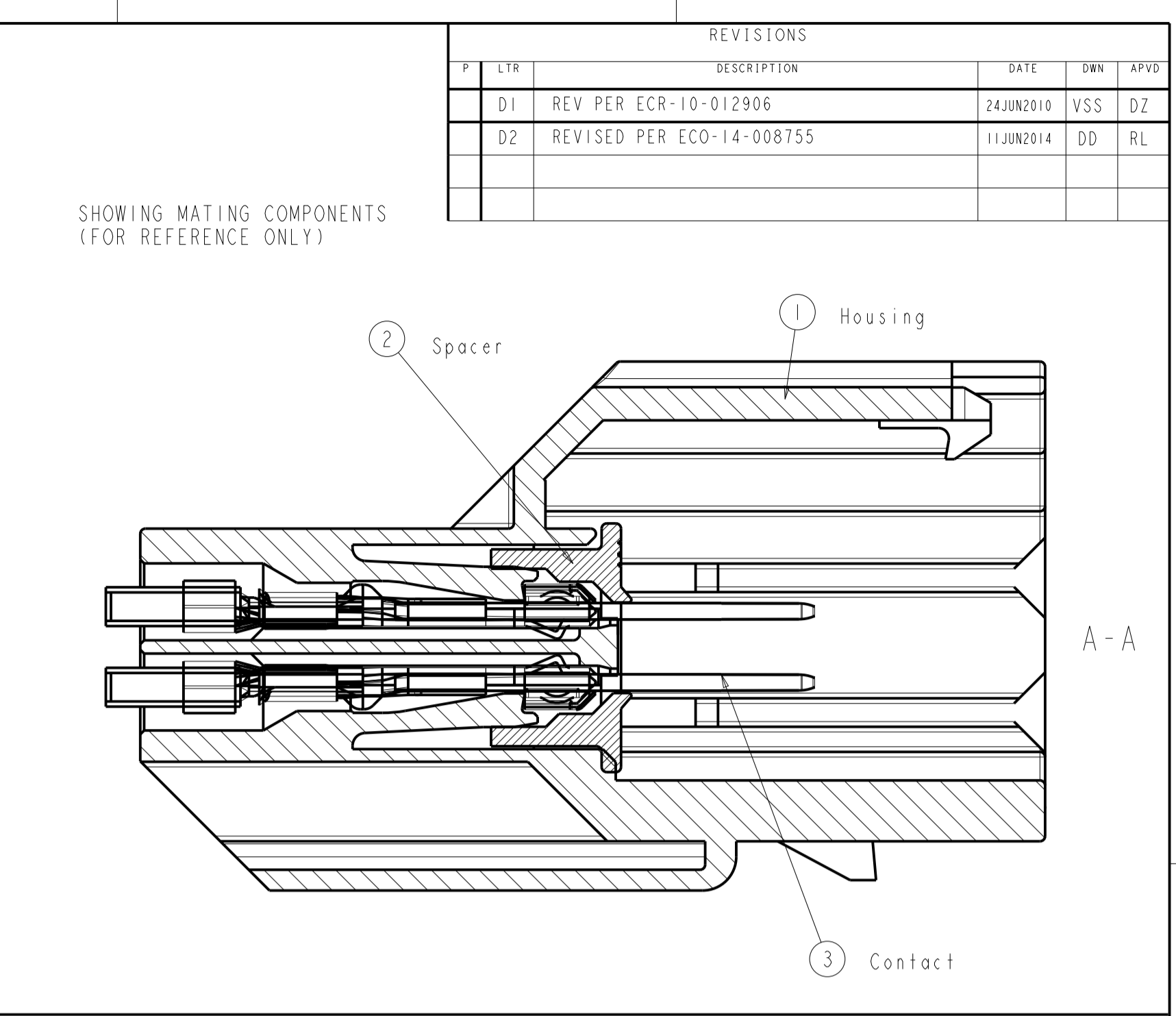
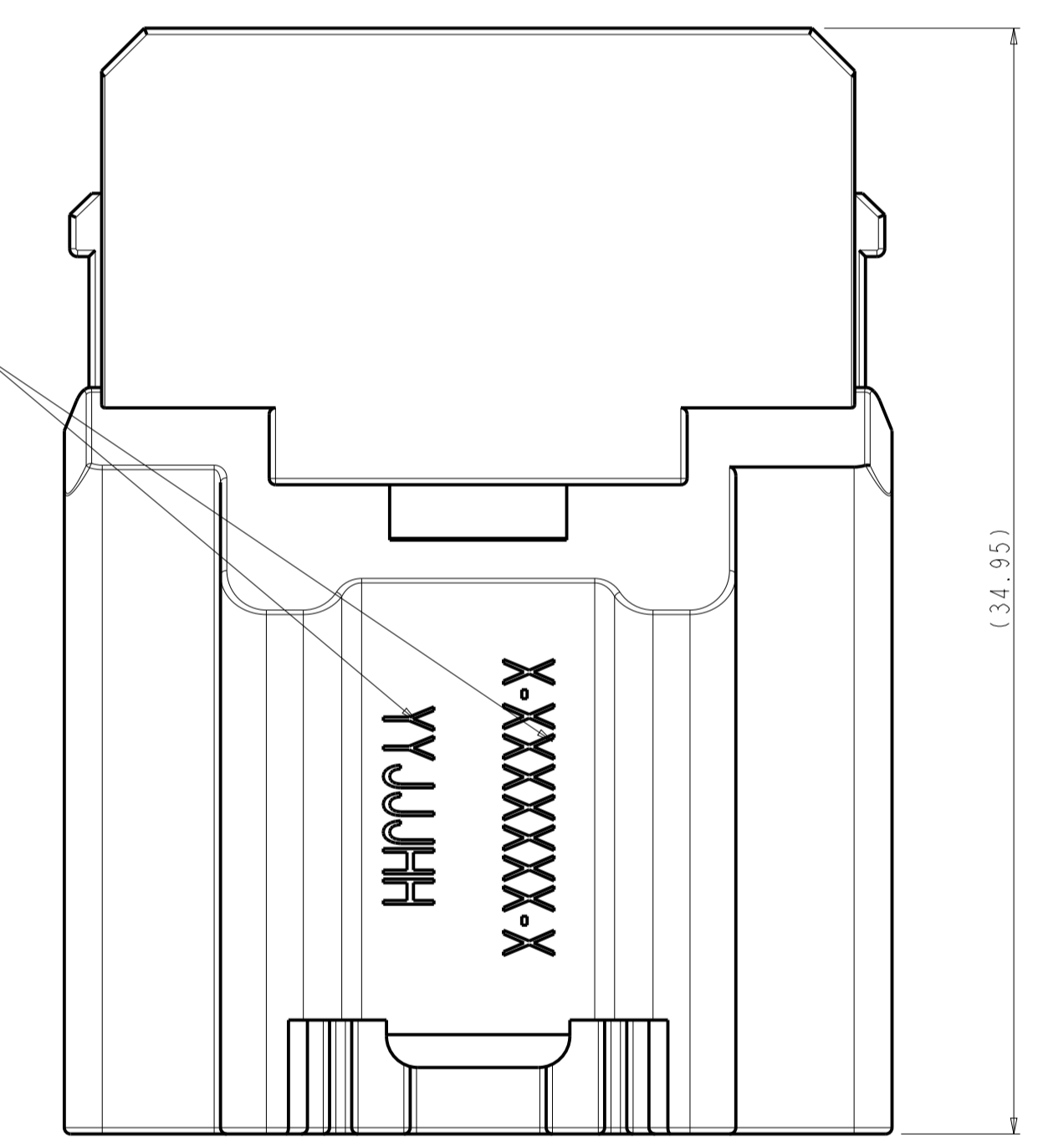
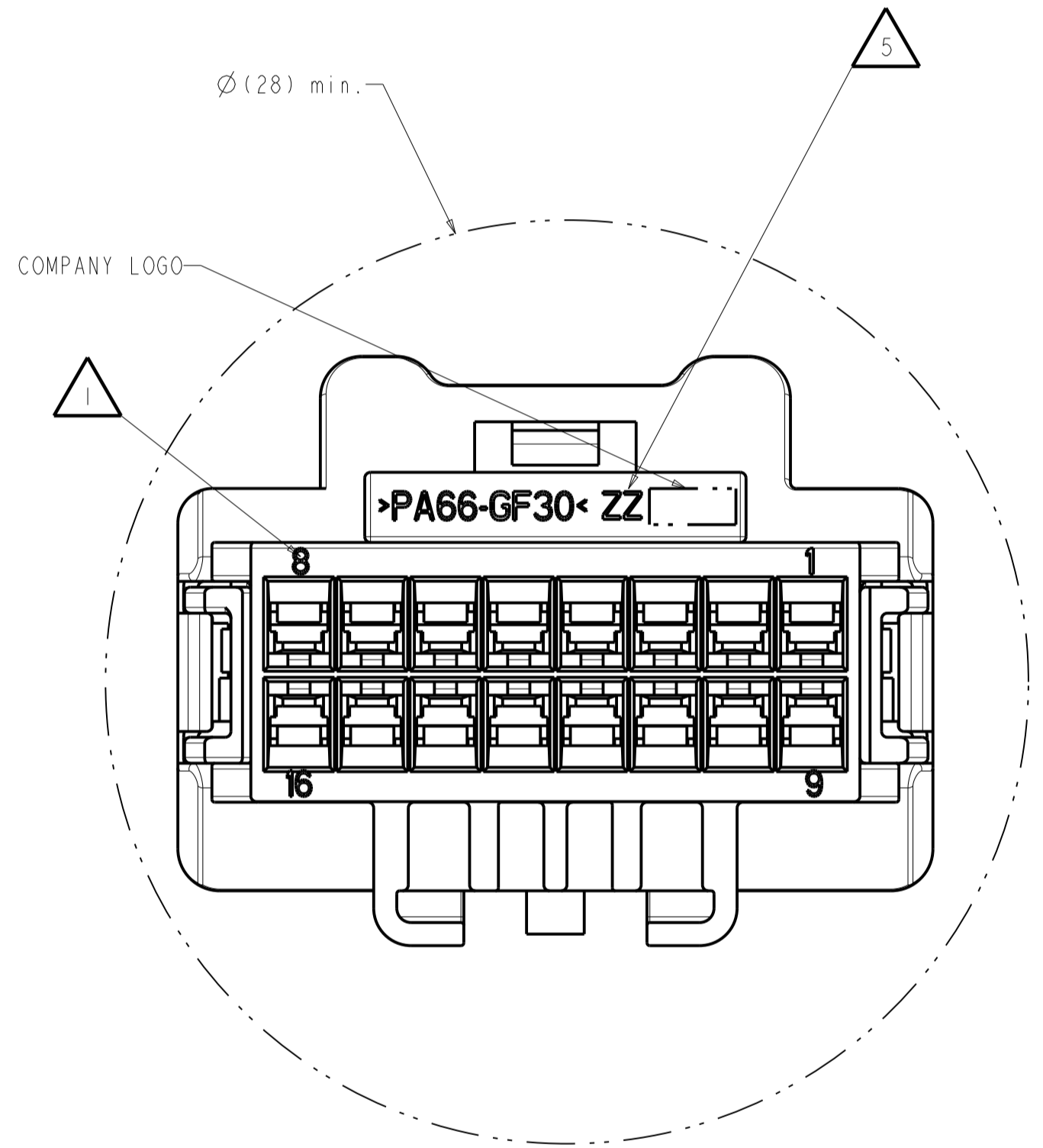
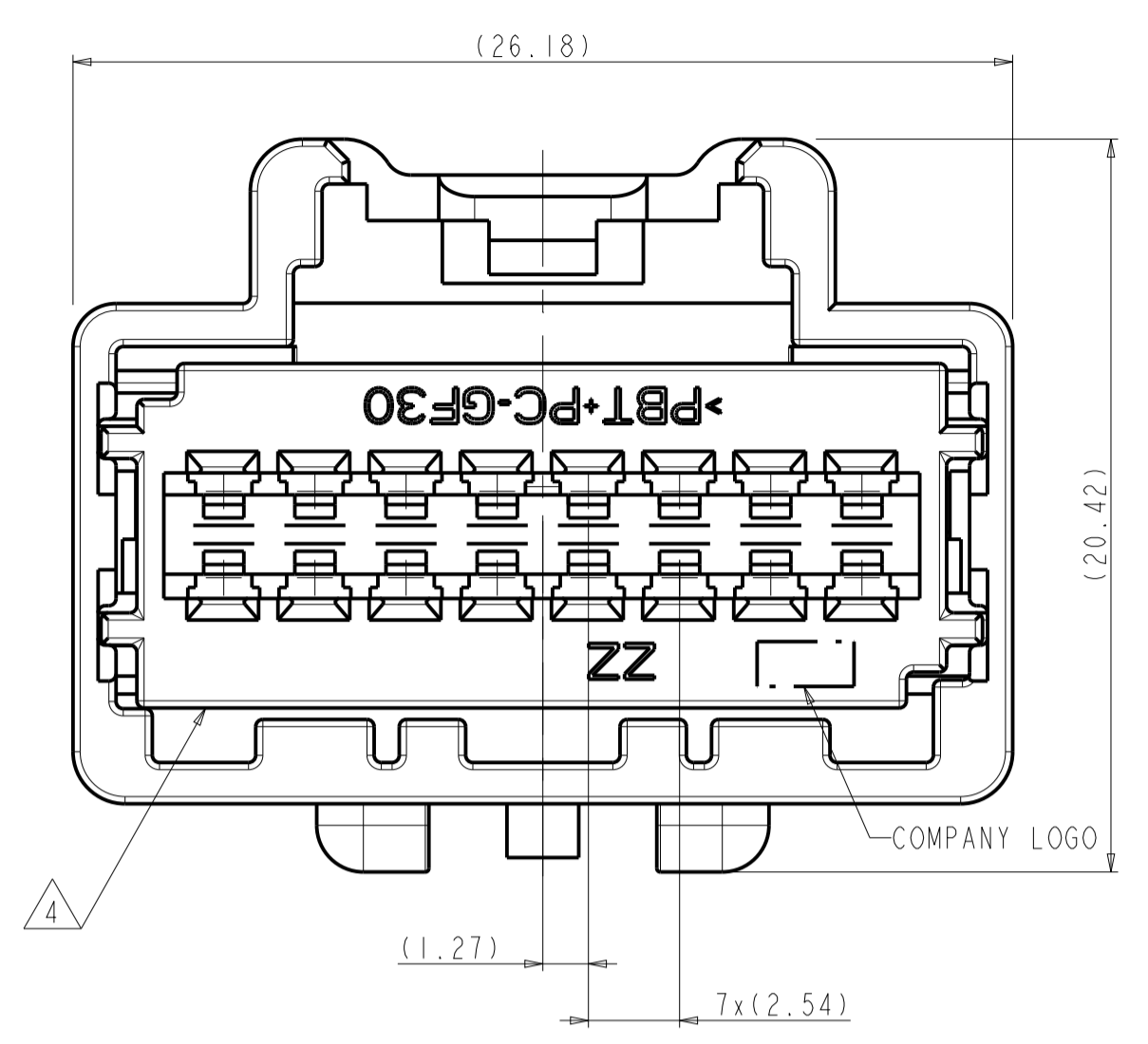
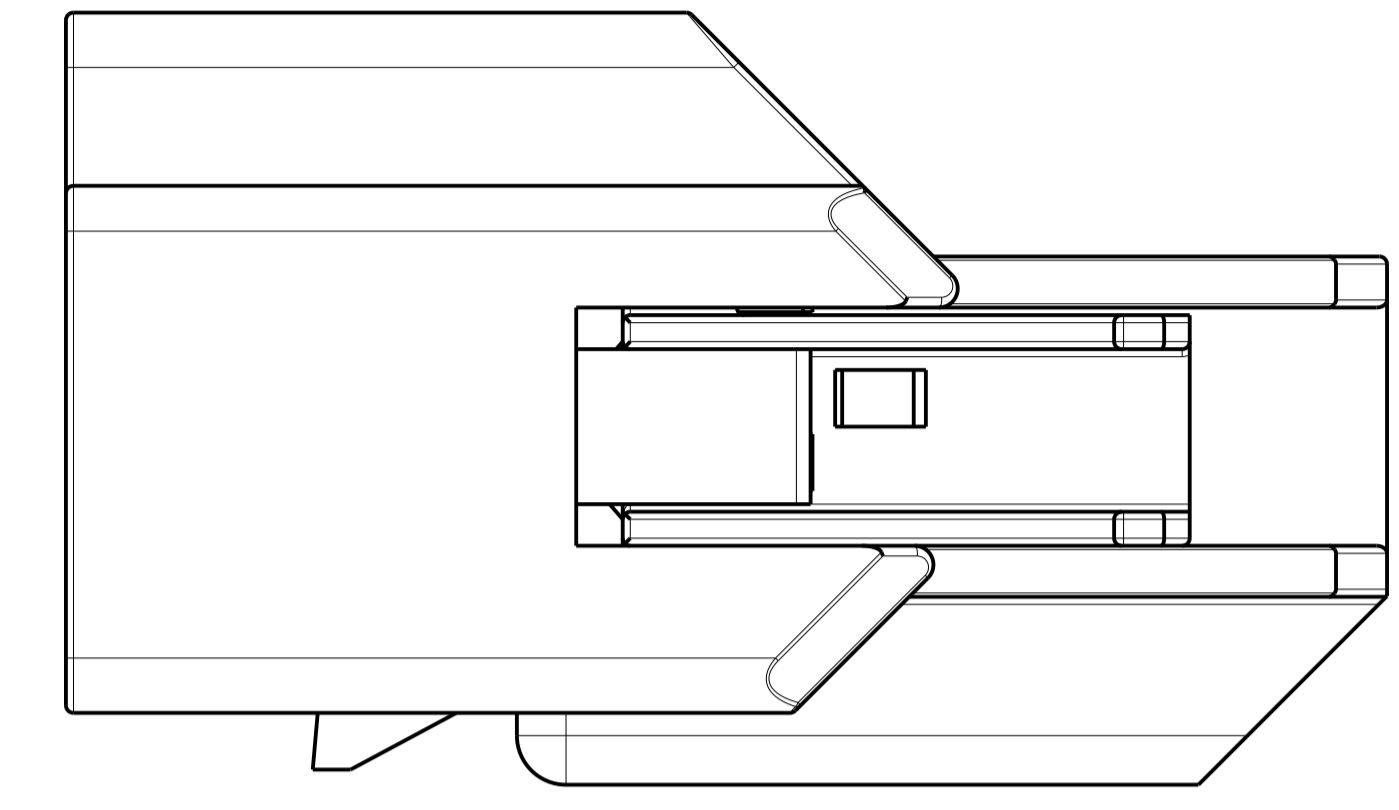
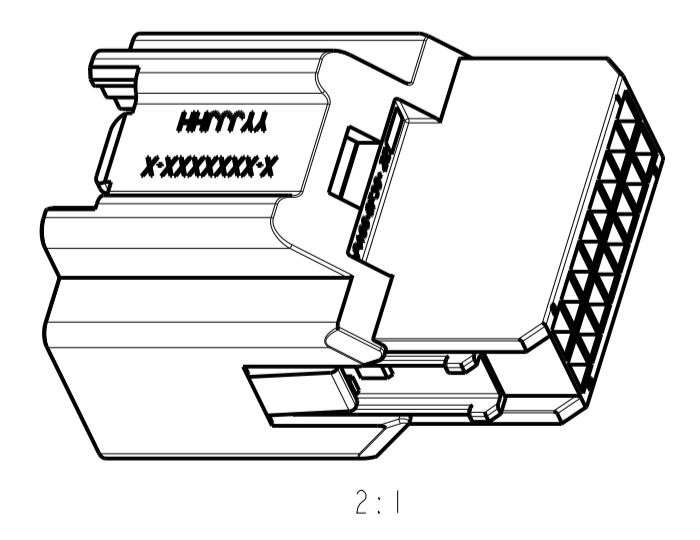


- △ 1 TERMINAL POSITION NUMBERS
- 2. SPACER SHIP IN PRE ASSEMBLED POSITION
- △ 3 PART NUMBER AND DATE CODE
- △ 4 TPA CAN BE SHIPPED IN THIS POSITION OR ROTATED 180°.
- △ 5 CAVITY NUMBER
- 6. PACKING: CONNECTOR ASSEMBLIES BULK PACKED IN CARDBOARD BOX



CODING F SHOWN



KEYING OPTIONS								TYCO ASSEMBLY NUMBER			
A	B	C	D	E	F	G	H				
6-1419167-1	1411367-1	6-7449167-2	5-7449167-5	5-1419167-6	5-7449167-7	5-7449167-8	6-7449167-0				
I	I	I	I	I	I	I	I				
								2			
								MALE HOUSING KEY H			
								MALE HOUSING KEY G			
								MALE HOUSING KEY F			
								MALE HOUSING KEY E			
								MALE HOUSING KEY D			
								MALE HOUSING KEY C			
								MALE HOUSING KEY B			
								MALE HOUSING KEY A			
								MALE HOUSING KEY A			
KEYING OPTIONS								ITEM	DESCRIPTION	MATERIAL	COLOUR

THIS DRAWING IS A CONTROLLED DOCUMENT.

DIMENSIONS: mm

TOLERANCES UNLESS OTHERWISE SPECIFIED:

0 PLC	± 0.1
1 PLC	± 0.1
2 PLC	± 0.1
3 PLC	± 0.1
4 PLC	± 0.1
ANGLES	± 0.1

MATERIAL: -

FINISH: -

THIS DRAWING IS A CONTROLLED DOCUMENT. DWN: H. STUBBE 20JUN2002
CHK: G. STEINBACH 20JUN2002
APVD: -

NAME: -

PRODUCT SPEC: -

APPLICATION SPEC: -

WEIGHT: -

CUSTOMER DRAWING: -

SCALE: 5:1

SHEET: 1 OF 1

REV: D2

RESTRICTED TO: -

STE TE Connectivity

2X8 POSITION, GET MALE CONNECTOR UNSEALED; ASSEMBLY

SIZE: A1

CAGE CODE: 00779

DRAWING NO: 5-1419167-5